

XZ1 / XR1

Pin Size: 7mm
Dist A: 49mm Gap B: 7mm
Weight: XZ 510g Weight: XR 560g
Battery: 6 x LR44 1.5v Alkaline
Body Construction:
Zinc Alloy
Motion Sensor
Shock Sensor
110 db Warning Siren
Detachable Electronic Module
High Security Key and Barrel
Push Pin Locking System

XN14 / XM14

Pin Size: 14mm Double Locking
Dist A: 46mm Gap B: 7mm
Weight: XN 635g Weight: XM 615g
Battery: 6 x LR44 1.5v Alkaline
Body Construction:
XM14 - Hardened Steel
XN14 - Stainless Steel
Motion Sensor
Shock Sensor
"Smart" LED Arming Sensor
Microprocessor Equipped
110 db Warning Siren
Detachable Electronic Module
High Security Key and Barrel
Double Locking Barrel System

XN15 / XE15

Pin Size: 14mm Double Locking
Dist A: 62mm Gap B: 7mm
Weight: XN 935g Weight: XR 905g
Battery: 6 x LR44 1.5v Alkaline
Body Construction:
XE15 - Hardened Steel
XN15 - Stainless Steel
Motion Sensor
Shock Sensor
"Smart" LED Arming Sensor
Microprocessor Equipped
110 db Warning Siren
Detachable Electronic Module
High Security Key and Barrel
Double Locking Barrel System

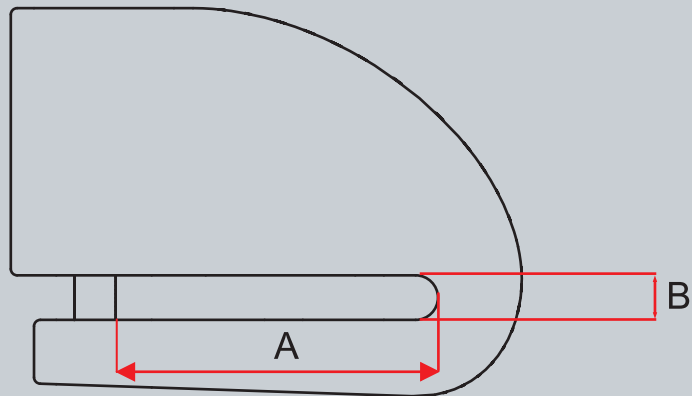
XN18

Pin Size: 18mm Double Locking
Dist A: 65mm Gap B: 7mm
Weight: 1400g
Battery: 1 x CR2 3v Lithium
Body Construction:
Re-enforced Carbide Substructure
18 mm Double Locking Base
120 Warning Siren
"Smart" LED Arming Sensor
Microprocessor Equipped
Flashing Blue LED "Armed" Signal
Fortified Barrel with Carbide Underpinning
4 Pin Locking System
Fully Removable Unique Key and Barrel

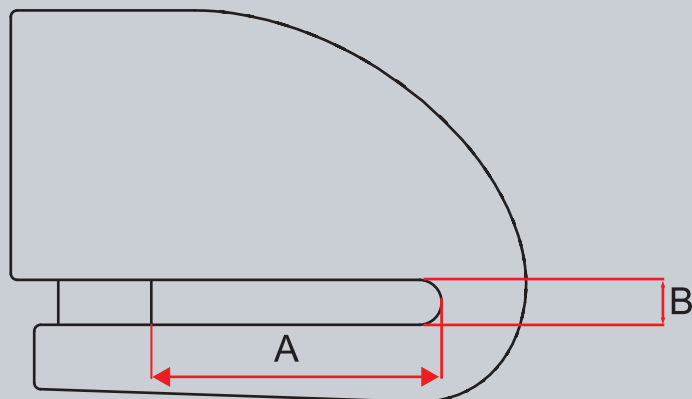
XENA
INTELLIGENT SECURITY



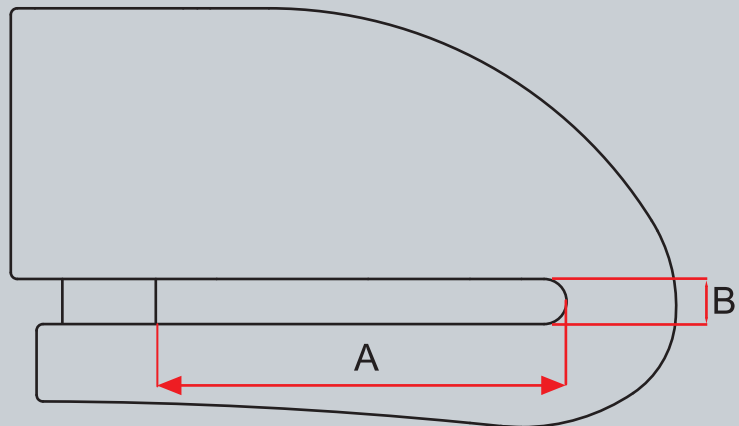
XZ1 / XR1



XN14 / XM14



XN15 / XE15



XN18

